

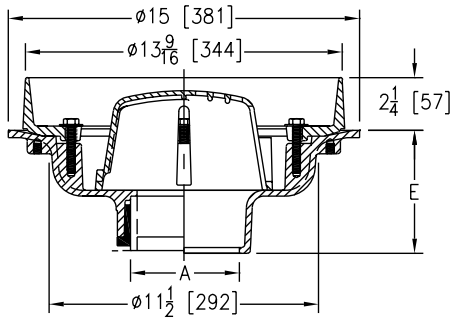
Z108 15" DIAMETER DECK RECEPTOR DRAIN



ENGINEERING SPECIFICATION

Zurn Z108 15" diameter roof drain features Dura-Coated cast iron body with combination membrane flashing clamp, deck receptor frame, and internal bottom dome strainer.

A Pipe Size inches [mm]	Dome Open Area sq in [cm ²]	Approximate Weight lb [kg]
2 [51], 3 [76], 4 [102]	53 [342]	41 [19]
6 [152]		39 [18]
8 [203]		42 [19]



PREFIXES	DESCRIPTION	PIPE SIZE	LIST PRICE
Z108*	D.C.C.I. Body with Collar	2", 3", 4"	937.00
		6"	1,254.00
		8"	1,542.00

OUTLETS (SPECIFY PIPE SIZE IN INCHES AND TYPE OF OUTLET)			
OUTLET TYPE	OUTLET DESIGNATION (PIPE SIZE/OUTLET TYPE)	E BODY HT. DIM.	ADD
IC	Inside Caulk 3IC, 4IC, 6IC	5-1/4"	N/C
IP	Threaded 2IP, 3IP, 4IP, 6IP, 8IP	3-3/4"	80.00
NH	No-Hub 2NH, 3NH, 4NH, 6NH, 8NH	5-1/4"	N/C
NL	Neo-Loc (not recommended for roof drains) 2NL, 3NL, 4NL	4-9/16"	N/C

SUFFIXES		ADD
-AR	Acid Resistant Epoxy Coated Finish	1,355.00
-C	Underdeck Clamp	244.00
Ⓢ -DE	Deck Extension	D.C.C.I. 703.00 Galv. 1,044.00
Ⓢ -DP	Top-Set® Roof Deck Plate (Replaces Both -C and -R)	436.00
-E	Static Extension 1" thru 4" (Specify Height)	D.C.C.I. 660.00
		Galv. 995.00
	For E Extensions Greater than 4" - Per Inch (Specify Height)	D.C.C.I. 158.00 Galv. 242.00
-EA	Adjustable Extension Assembly 2-1/8" thru 3-1/2"	D.C.C.I. 744.00 Galv. 1,063.00
-FG	Flush Grate (Replaces Dome Strainer)	824.00
-G	Galvanized Cast Iron	889.00
-HD	6-3/4" High Aluminum Dome Strainer (61 Sq. In. Open Area)	N/C
-R	Roof Sump Receiver	272.00
Ⓢ -TC	Neo-Loc Test Cap Gasket (2", 3", 4" NL Bottom Outlet Only)	24.00

BEST SELLER	LIST PRICE
Z108-3NH	740.00

Supplied By:



877-903-7246

www.commercialplumbingsupply.com

*Regularly furnished unless otherwise specified.

Items designated as Best Sellers are most specified and are generally in stock for shipment.

Ⓢ This symbol denotes a product that is engineered to reduce installation and rework time.

For additional product information, please visit www.zurn.com.

INTRO ROOF DRAINS FLOOR DRAINS T, P, BW VALVES INTERCEPTORS CARRIERS HYDRANTS CLEANOUTS W/HA SS DRAINS FAB SS DRAINS SAN-FLOOR TECH INFO